

Rite-L-Edge - Installation Information

rainbow
professional



shaping your environment

RITE-L-EDGE

Rainbow Professional Ltd
131 Cumberland Street,
Hull. HU2 0PP

Tel: +44 (0)1482 616861

Fax: +44(0)1482 221387

Email: info@rainbow.eu.com

www.rainbow.eu.com

www.rite-edge.com

General Product Information

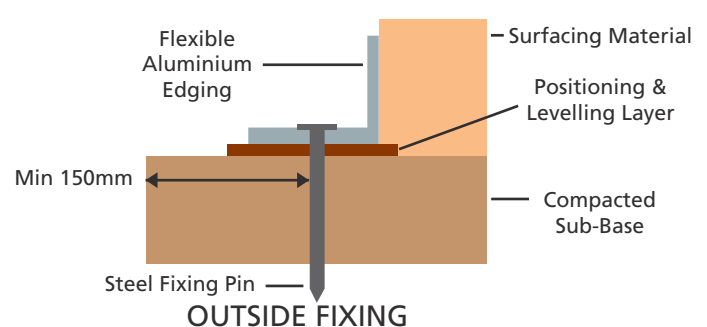
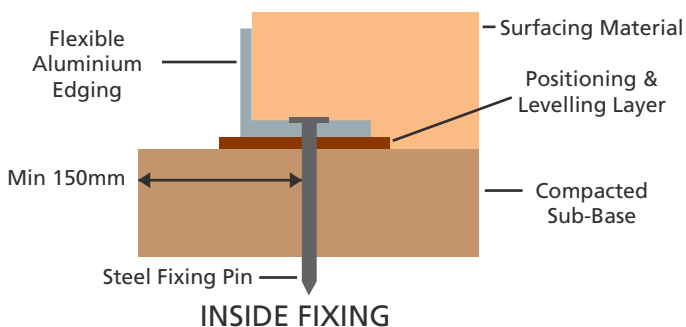
Flexible aluminium edge restraint 'L' shaped for additional strength provides an unobtrusive edging solution for hard landscape surfaces. The base of the section incorporates fixing holes to enable the section to be secured to an appropriate sub base. Within the vertical section is a slot along the length of the edging to accommodate the supplied joining piece. This joining system ensures each length joins to the next simply and accurately. The regular spacing of cut-away slots enables unequal flexibility to create any shape or design, straight lines to sharp right angle bends are quick and simple to achieve.

General Installation Information

Installation should be on a suitably compacted sub base constructed typically from a MOT Type 1 material. A bedding layer may also be preferable to enable positioning and levelling which can be of a dry mix (3:1 sharp sand and cement) or a 10-15mm binding layer of fines or sand. Where the installation is to be subjected to frequent vehicular traffic the pins should be installed at 10cm spacing, 20cm for occasional vehicular traffic and 30cm spacing for pedestrian traffic. When fixing to existing concrete or asphalt it is recommended to use a proprietary masonry fixing system utilising screws/plugs or nails. Allow a 10mm gap between sections to allow for product expansion in extreme temperatures. Avoid joints at corners, mitre the base only and bend forming a continuous corner, 90° fabricated corners are available. Maximum recommended asphalt temperature 180°C.

Basic Installation Steps

- Excavate site
- Lay levelling layer
- Install top surface
- Install sub-base to required depth
- Fix landscape edging



The above notes are intended as a guide only and professional opinion should be obtained before work is commissioned. Rainbow Professional Limited accepts no responsibility for any damage or loss as a result of using the information in these guidelines. We will be happy to engage in any discussion regarding the site in question.

For more information visit our web site www.rite-edge.com or telephone our technical services department on 01482 616861

Issued - 17.02.15